

# THROUGH-BEAM PHOTOELECTRIC SENSORS



## Series FE 765-766A/B

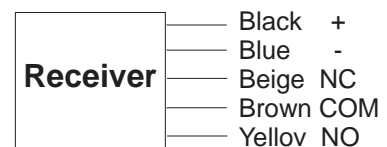
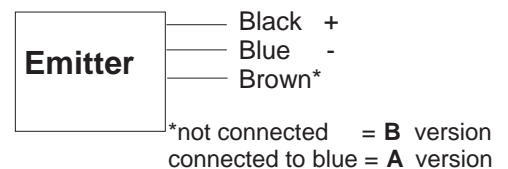


- Through-beam self-contained
- Range up to 60m
- Easy to mount
- Insensitive to shock and vibrations
- Waterproof IP 67

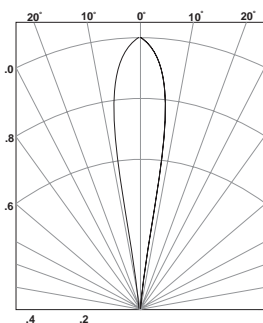
### Technical data

Range:	FE765A / FE766A	>50M
	FE765B / FE766A	>25M
	FE765A / FE766B	>15M
	FE765B / FE766B	>10M
Supply options:	-receiver:	12V AC/DC -10% +15%
		24V AC/DC -15% +15%
	-emitter:	12 to 24V AC/DC -10% +15%
Power consumption:	-receiver:	max. 45mA
	-emitter:	max. 50mA
Output:	single pole changeover 2A 24VDC	
Ambient temperature:	- 25°C to + 60°C	
Housing:	Noryl	
Cable:	5m standard 5 x 0,25 square	
Degree of tightness:	IP 67	
Weight:	app. 250 g each	

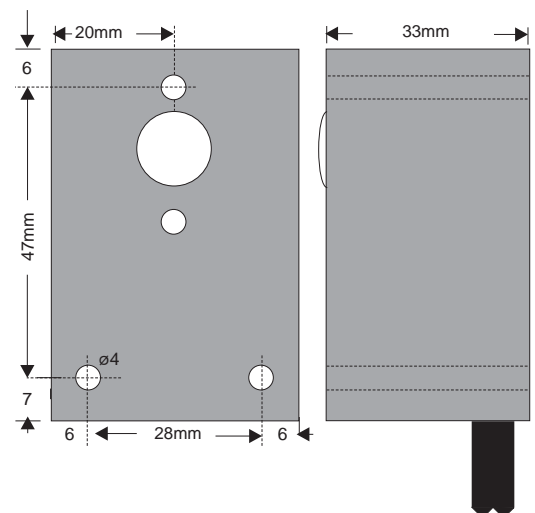
### Wiring diagrams



### Angular displacement



### Dimension (mm)



### Type no. Identification code

Type no.	Identification code
Emitter	
120500	FE 766A/B
Receiver	
120600	FE 765/A 024VAC/DC
120610	FE 765/A 012VAC/DC
120700	FE 765/B 024VAC/DC
120710	FE 765/B 012VAC/DC